



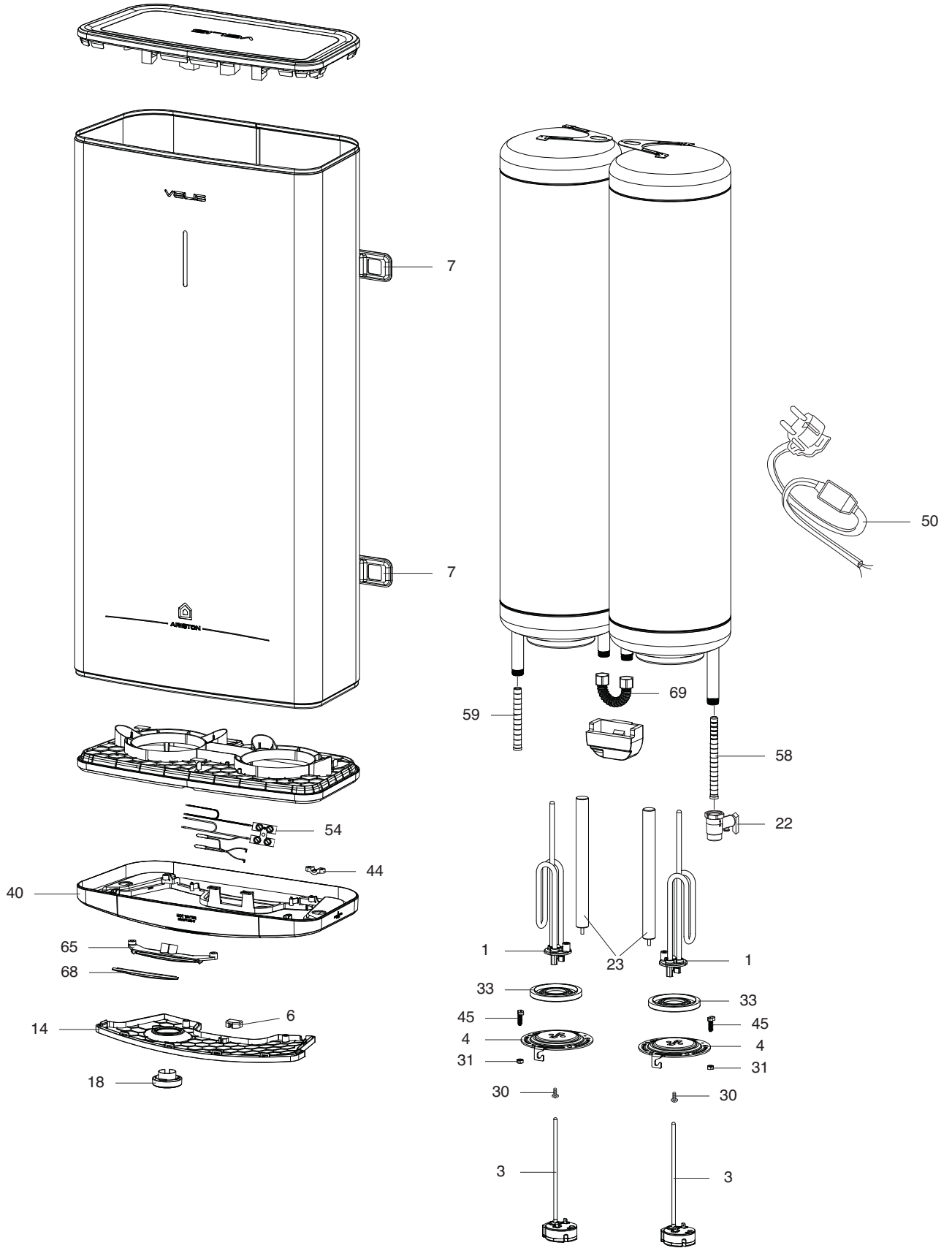
SPARE PARTS EXPLODED VIEW  
STORAGE ELECTRIC WATER HEATERS  
Model  
**VELIS TECH R ABS**

R8218679-02 - 18/07/2022

VELIS TECH R ABS

Storage Electric Water Heaters

1	3700711	VELIS TECH R ABS 30	04-2021	-
2	3700712	VELIS TECH R ABS 50	04-2021	-
3	3700713	VELIS TECH R ABS 80	04-2021	-
4	3700714	VELIS TECH R ABS 100	04-2021	-
Col	Reference	Model type	Begin	End



☞	Description	Manf. Pt. N	Type	VELIS TECH R ABS 30 VELIS TECH R ABS 30 VELIS TECH R ABS 80 VELIS TECH R ABS 100																		31	
				1	2	3	4	5	6	7	8	9	10	11	12	13	14	15	16	17	18	From	to
0001	НАГРЕВАТЕЛЬНЫЙ ЭЛЕМЕНТ 1000W 220-240V	65120782		•	•	•	•																
0003	ТЕРМОСТАТ	65117771		•	•	•	•																
0004	ФЛАНЕЦ (5 БОЛТОВ)	65180108		•	•	•	•																
0006	ВОДОЗАЩИТНЫЙ КОЛПАК	65180442		•	•	•	•																
0007	КРОНШТЕЙН	65152905		•	•	•	•																
0014	КРЫШКА ПЛАСТИКОВАЯ	65180454		•	•	•	•																
0018	РУЧКА РЕГУЛИРОВКИ	65180455		•	•	•	•																
0022	ПРЕДОХРАНИТЕЛЬНЫЙ КЛАПАН (1/2" 8,5 БАР)	571730		•	•	•	•																
0023	МАГНИЕВЫЙ АНОД D:21,3 L:180 M5	65180015		•	•																		
	МАГНИЕВЫЙ АНОД D:25,5 L:230 M5-M8	993014-01				•	•																
0030	ВИНТ М6Х12	993000		•	•	•	•																
0031	ГАЙКА М6	994140		•	•	•	•																
0033	ПРОКЛАДКА ФЛАНЦА	65111788		•	•	•	•																
0040	КРЫШКА ПЛАСТИКОВАЯ НИЖНЯЯ	65180456		•	•	•	•																
0044	ЗАЖИМ ДЛЯ КАБЕЛЯ	573266		•	•	•	•																
0045	ВИНТ М6Х20	65151225		•	•	•	•																
0050	КАБЕЛЬ ПИТАНИЯ С УЗО (16А 1,0м)	65150965		•	•	•	•																
0054	КОМПЛЕКТ ПРОВОДОВ	65120783		•	•	•	•																
0058	РАССЕКАТЕЛЬ ВОДЫ (1/2" Н=159)	65152176		•	•	•	•																
0059	РАССЕКАТЕЛЬ ВОДЫ (1/2" Н=100)	65152177		•	•	•	•																
0065	СВЕТОВОД	65180453		•	•	•	•																
0068	LED ИНДИКАТОР	65180449		•	•	•	•																
0069	ТРУБКА СОЕДИНИТЕЛЬНАЯ	65152492		•	•	•	•																

## LIST OF THE ABBREVIATIONS

HW .....	: Hot water.
CW .....	: Cold water.
C .....	: Ceramic resistance (normal heating).
Ca .....	: Ceramic resistance (accelerated heating)
TP .....	: Immersion heater.
1F .....	: With fittings.
2F .....	: Without fittings.
3F .....	: With fittings and another outlet connection.
AMI .....	: With mixing valve.
SMI .....	: Without mixing valve.
PUISS .....	: Power of th appliance.
PN .....	: Appliance with normal pression.
LP .....	: Appliance with low pression.
PV .....	: Appliance with variable power.
PF .....	: Appliance with fixed power.

## IDENTIFICATION PLATE

### SERIAL NUMBER

**6 Characters :**  
 Year of manufacture 03 09 08 Manufacturing day  
 Month of manufacture

**9 Characters :**  
 Year of manufacture 5 9 12 0606 Sequential number  
 Month of manufacture

**14 Characters :**  
 SI-V-0B0 45 07 0001  
 Sequential number  
 Year of manufacture : 6 → 2004  
 Month of manufacture : → 25 → January 43 → July 7 → 2005  
 13 → February 29 → August 8 → 2006  
 32 → March 40 → September etc ...  
 35 → April 38 → October  
 39 → May 51 → November  
 45 → June 12 → December

**14 Characters :**  
 111518 XX 000010  
 Month of manufacture Sequential number  
 Day of manufacture Year of manufacture

**15 Characters :**  
 02 11 00001 007843  
 Year of manufacture Product reference  
 Month of manufacture Sequential number

**21 Characters :**  
 3200050 XX 08115 0000001  
 Product reference Sequential number  
 Year (08) / Manufacturing day (115)

**22 Characters :**  
 3200050 XX 070115 0000001  
 Product reference Sequential number  
 Year (07) / Month (01) / Manufacturing day (15)