



ARISTON

## SPARE PARTS EXPLODED VIEW GAS-WALL BOILER ATM. BURNER

Model

**CLAS X**

R8203475-09 - 18/03/2021

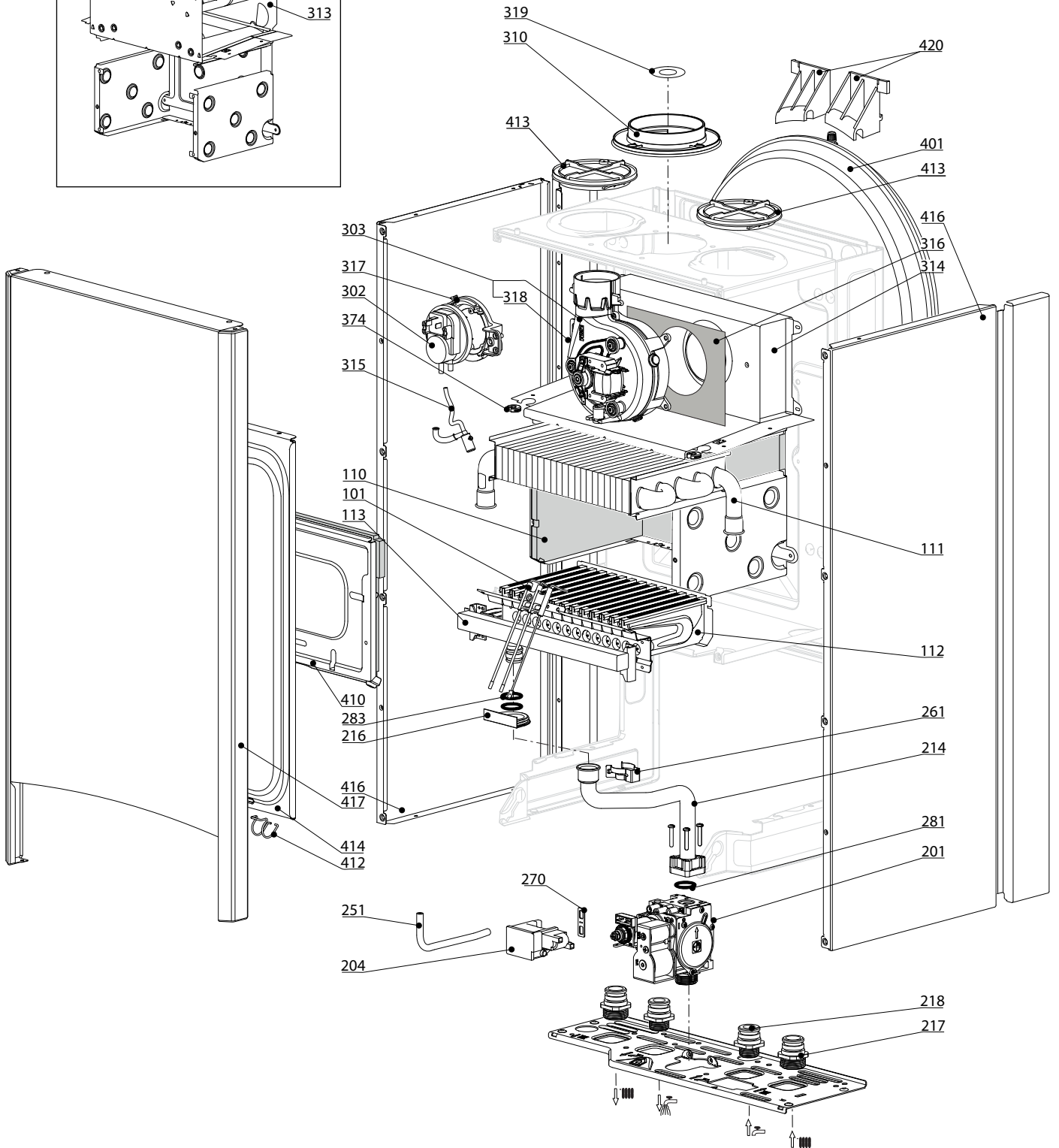
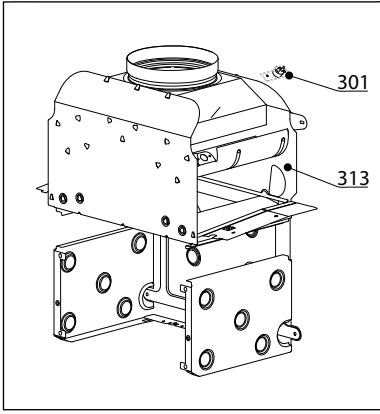
CLAS X

Gas-wall boiler atm. burner

1	3300866	CLAS X 24 CF NG	09-2016	-
2	3300864	CLAS X 24 FF NG	09-2016	-
2	3301335	CLAS X 24 FF NG	09-2018	01-2020
3	3300865	CLAS X 28 FF NG	09-2016	-
3	3301336	CLAS X 28 FF NG	09-2018	01-2020
4	3301320	CLAS X 35 FF NG	09-2018	-
5	3300867	CLAS X SYSTEM 24 CF NG	12-2016	-
6	3300868	CLAS X SYSTEM 28 CF NG	12-2016	-
7	3300869	CLAS X SYSTEM 24 FF NG	12-2016	-
8	3300870	CLAS X SYSTEM 28 FF NG	12-2016	-
9	3300871	CLAS X SYSTEM 32 FF NG	12-2016	-

Col	Reference	Model type	Begin	End
-----	-----------	------------	-------	-----

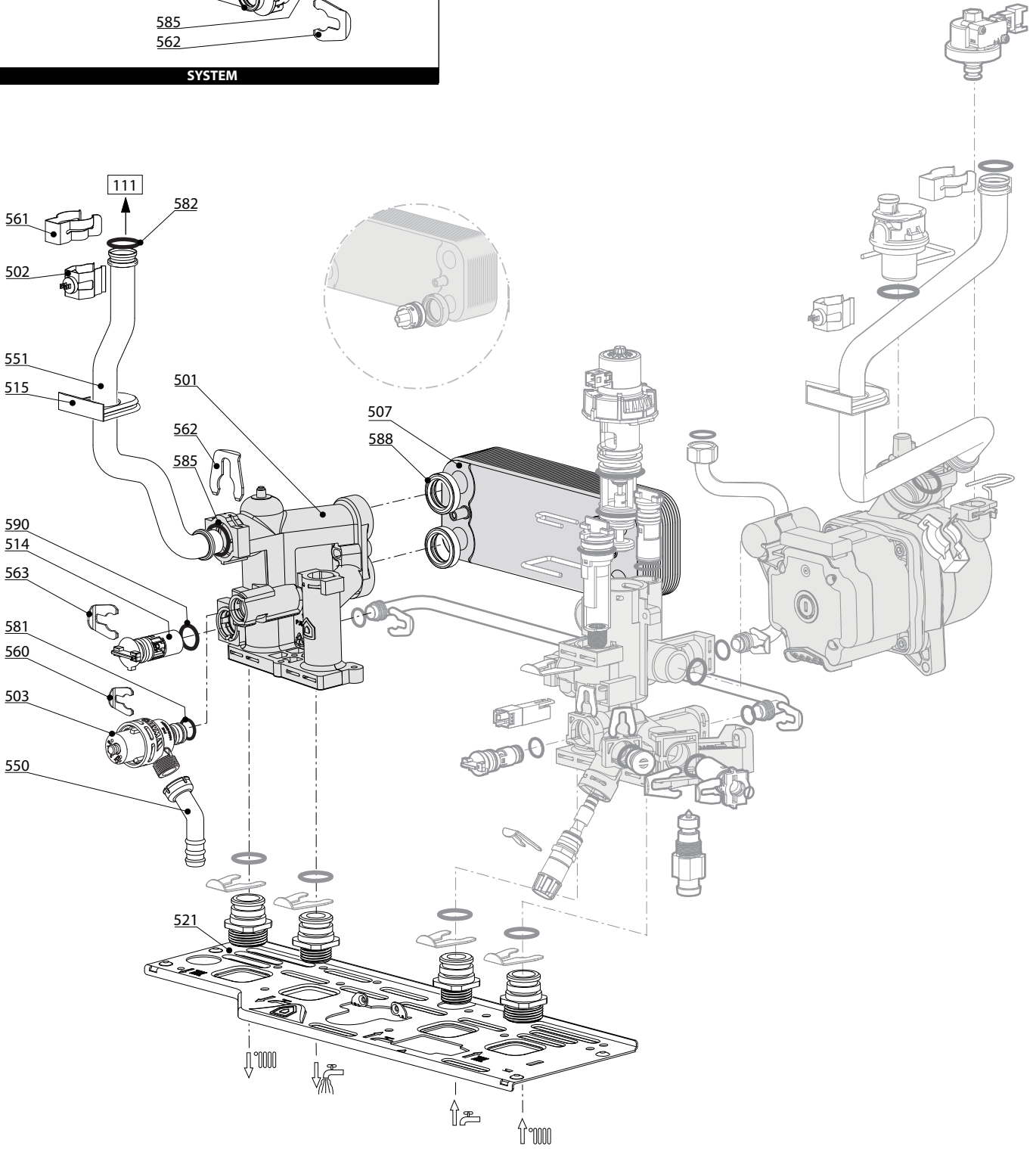
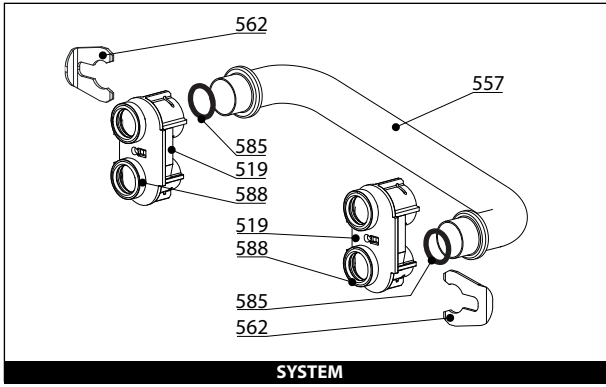
100  
200  
300  
400



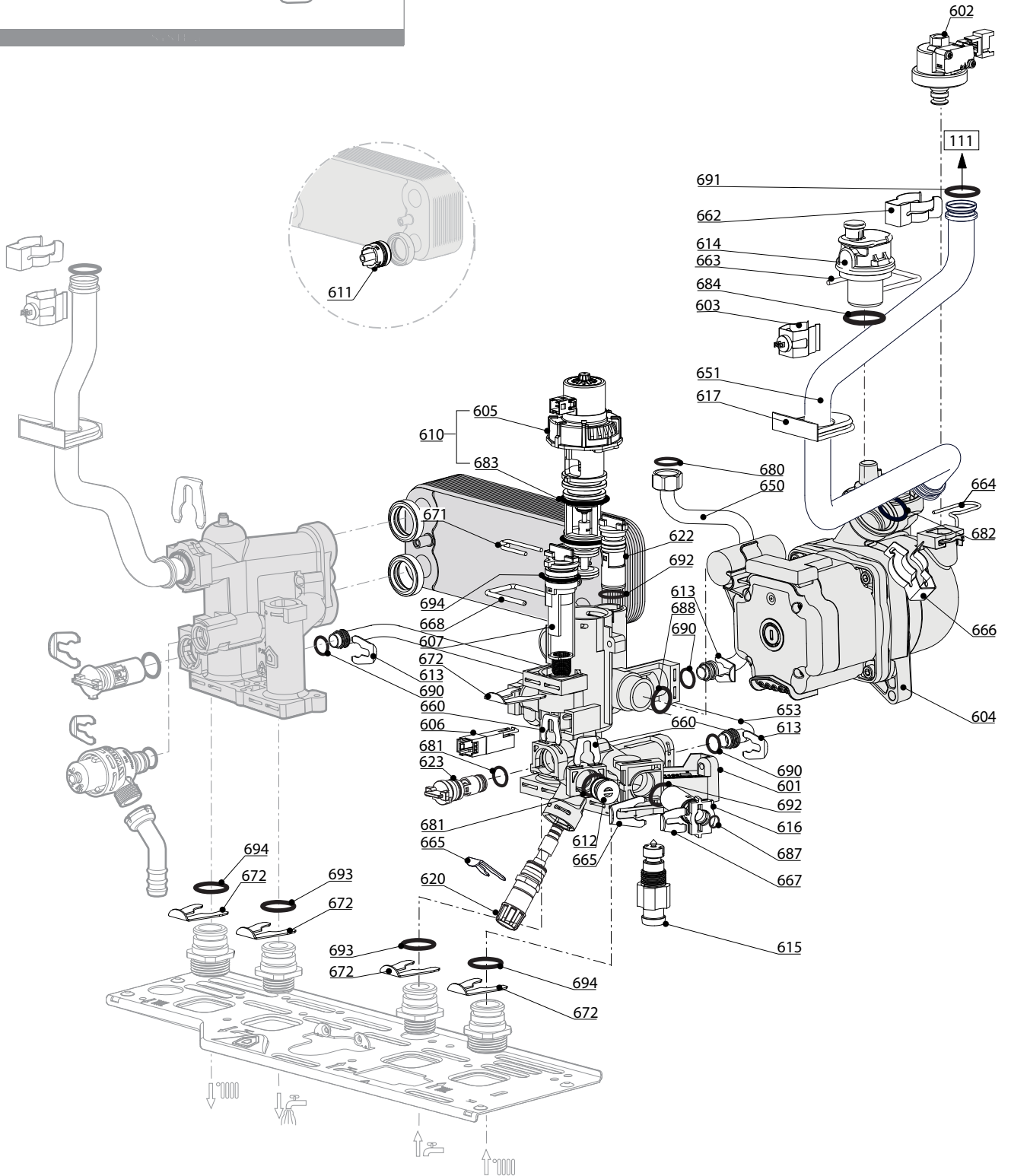
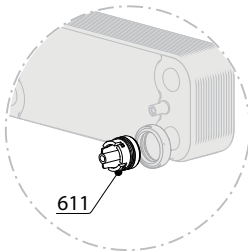
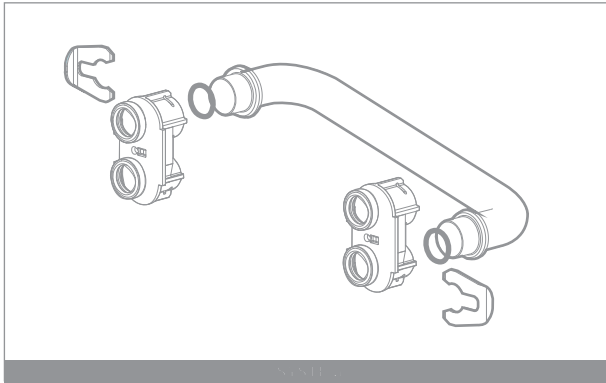
CLAS X

Gas-wall boiler atm. burner



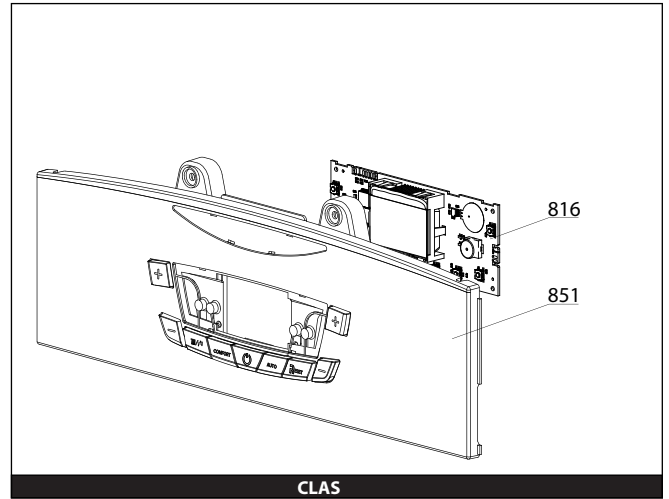
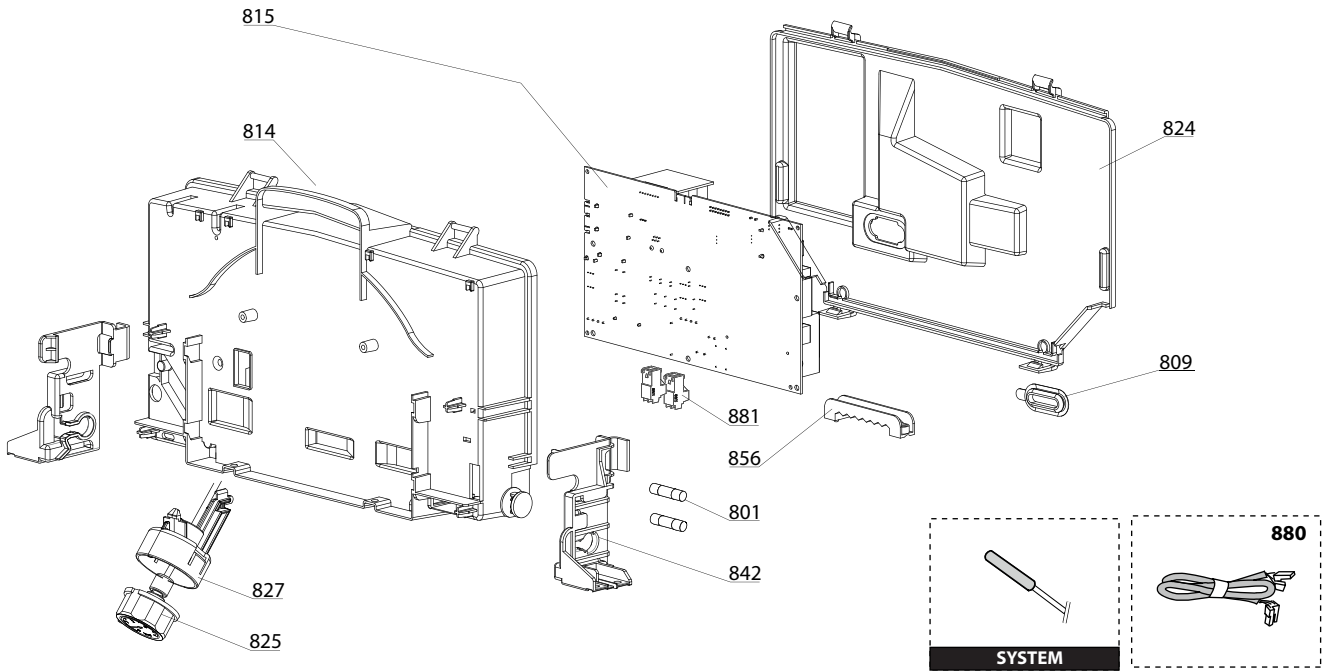




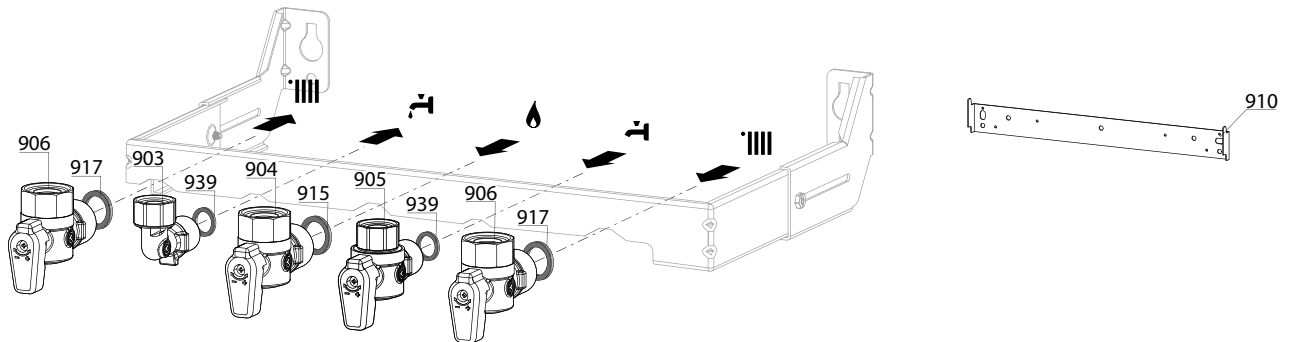








900



5000

**5001**  
 Transf. gaz  
 Conv. gas  
 > **G31**  
 (LPG - GPL)  
 Trsf. gas  
 Transf. gas

**5002**  
 Transf. gaz  
 Conv. gas  
 > **G20**  
 (NAT - MET)  
 Trsf. gas  
 Transf. gas

Accessories **5020**  
 Options  
 Opzioni  
 Accessorio  
 Zubehör  
 Opties



☉⇒	Description	Manf. Pt. N	Type	<div style="display: flex; justify-content: space-between; text-align: center;"> <span>CLAS X 24 CF</span> <span>CLAS X 24 FF</span> <span>CLAS X 28 FF</span> <span>CLAS X 32 FF</span> <span>CLAS X SYSTEM 24 CF</span> <span>CLAS X SYSTEM 28 CF</span> <span>CLAS X SYSTEM 24 FF</span> <span>CLAS X SYSTEM 28 FF</span> </div>																		From	to
				1	2	3	4	5	6	7	8	9	10	11	12	13	14	15	16	17	18		
<b>0800</b>	<b>ELECTRICAL BOX</b>																						
0801	ПРЕДОХРАНИТЕЛЬ 5X20 RIT. 2 A 250V	65112137		●	●	●	●	●	●	●	●	●	●	●	●								
0809	ЗАГЛУШКА (PCD TOOL ACCESS)	998382		●	●	●	●	●	●	●	●	●	●	●	●								
0814	КОРПУС БЛОКА УПРАВЛЕНИЯ (FRONT)	65115784		●	●	●	●	●	●	●	●	●	●	●	●								
0815	ОСНОВНАЯ ПЛАТА	65115783-04		●	●	●	●	●	●	●	●	●	●	●	●								
0816	ПЛАТА ДИСПЛЕЯ	65115776-02		●	●	●	●	●	●	●	●	●	●	●	●								
0824	КОРПУС БЛОКА УПРАВЛЕНИЯ (REAR)	65115785		●	●	●	●	●	●	●	●	●	●	●	●								
0825	МАНОМЕТР (0-4 БАР)	65114200		●	●	●	●	●	●	●	●	●	●	●	●								
0827	КРОНШТЕЙН МАНОМЕТРА	65115809		●	●	●	●	●	●	●	●	●	●	●	●								
0842	БОКОВОЙ ФИКСАТОР ПАНЕЛИ УПРАВЛЕНИЯ	65115810					●		●				●										
	БОКОВОЙ ФИКСАТОР ПАНЕЛИ УПРАВЛЕНИЯ	65115811		●	●	●		●		●	●												
0851	ПАНЕЛЬ УПРАВЛЕНИЯ В СБОРЕ	65115774				●		●						●									
	ПАНЕЛЬ УПРАВЛЕНИЯ В СБОРЕ	65115775		●	●	●		●		●	●												
0856	ЗАЖИМ ДЛЯ КАБЕЛЯ	65103377		●	●	●	●	●	●	●	●	●	●	●	●								
0879	ДАТЧИК БОЙЛЕРА	60000454						●	●	●	●	●	●	●									
0880	КАБЕЛЬ 3-Х ХОДОВОГО КЛАПАНА	65115790		●	●	●	●																
	КАБЕЛЬ 3-Х ХОДОВОГО КЛАПАНА	65115937						●	●	●	●	●	●	●									
	КАБЕЛЬ ЭЛЕКТРОДА ИОНИЗАЦИИ	60001883		●	●	●	●	●	●	●	●	●	●	●	●								
	КАБЕЛЬ ДИСПЛЕЯ (5 WIRES BLUES)	60000746		●	●	●	●	●	●	●	●	●	●	●	●								
	КАБЕЛЬ ЗАЗЕМЛЕНИЯ	65104286		●	●	●	●	●	●	●	●	●	●	●	●								
	КАБЕЛЬ ВЕНТИЛЯТОРА	60001902				●	●	●				●	●	●									
	КАБЕЛЬ ПИТАНИЯ 240V	60001619		●	●	●	●	●	●	●	●	●	●	●	●								
	КАБЕЛЬ ДАТЧИК ТЕМП. - ПНЕВМОРЕЛЕ	65115787				●	●	●				●	●	●									
	КАБЕЛЬ ДАТЧИК ТЕМП. - ПНЕВМОРЕЛЕ	65115789		●				●	●														
	КАБЕЛЬ НАСОСА 2V 5M WILO	65104520	WILO	●	●	●	●	●	●	●	●	●	●	●	●								
0881	КОННЕКТОР 2P	65111933		●	●	●	●	●	●	●	●	●	●	●	●								
	КОННЕКТОР 3P (x5)	65111934-01		●	●	●	●	●	●	●	●	●	●	●	●								
<b>0900</b>	<b>JIG PLATE &amp; PIPE FITTING</b>																						
0903	ПАТРУБОК ГВС	60000891		●	●	●	●	●	●	●	●	●	●	●	●								
0904	КРАН ГАЗА	60000898		●	●	●		●	●														
	КРАН ГАЗА	65119353				●	●	●			●	●	●	●									
0905	КРАН ХОЛОДНОЙ ВОДЫ	60000894		●	●	●	●	●	●	●	●	●	●	●	●								
0906	КРАН ПОДАЧИ/ВОЗВРАТА ТЕПЛОНОСИТЕЛЯ	60000885		●	●	●	●	●	●	●	●	●	●	●	●								
0910	КРОНШТЕЙН	60000625		●	●	●	●	●	●	●	●	●	●	●	●								
0915	ПРОКЛАДКА КРАНА ГАЗА	65119354		●	●	●	●	●	●	●	●	●	●	●	●								
0917	ПЛОСКАЯ ПРОКЛАДКА D:24-17-1.5	60061855-19		●	●	●	●	●	●	●	●	●	●	●	●								
0939	ПЛОСКАЯ ПРОКЛАДКА D:18.4-12.2-1.5	60061855-14		●	●	●	●	●	●	●	●	●	●	●	●								
<b>5000</b>	<b>ACCESSORIES</b>																						
5001	К-Т ПЕРЕВОДА НА СЖИЖЕННЫЙ ГАЗ (LPG)	65104582-01				●	●				●	●											
	К-Т ПЕРЕВОДА НА СЖИЖЕННЫЙ ГАЗ (LPG)	65106690-01		●					●	●													
	К-Т ПЕРЕВОДА НА СЖИЖЕННЫЙ ГАЗ (LPG)	65106695-01						●						●									
5002	К-Т ПЕРЕВОДА НА ПРИРОДНЫЙ ГАЗ (NG)	65104583-01				●	●	●			●	●	●										
	К-Т ПЕРЕВОДА НА ПРИРОДНЫЙ ГАЗ (NG)	65106691-01		●					●	●													
5020	ОГРАНИЧИТЕЛЬ ПРОТОКА (KIT)	65116836		●	●	●	●																

## LIST OF THE ABBREVIATIONS

HW .....	: Hot water.
CW .....	: Cold water.
C .....	: Ceramic resistance (normal heating).
Ca .....	: Ceramic resistance (accelerated heating)
TP .....	: Immersion heater.
1F .....	: With fittings.
2F .....	: Without fittings.
3F .....	: With fittings and another outlet connection.
AMI .....	: With mixing valve.
SMI .....	: Without mixing valve.
PUISS .....	: Power of th appliance.
PN .....	: Appliance with normal pression.
LP .....	: Appliance with low pression.
PV .....	: Appliance with variable power.
PF .....	: Appliance with fixed power.

## IDENTIFICATION PLATE

### SERIAL NUMBER

<b>10 Characters :</b>	04 05 125 011	
		Sequential number
		Manufacturing day
		Year of manufacture
<b>11 Characters :</b>	1 95 065004 - 31	
Month of manufacture :		Technical number of the appliance
from 1 to 9 → Jan. to Sep.,		Sequential number
O → Oct., N → Nov.,		Year of manufacture
D → Dec.		
<b>19 Characters :</b>	08 05 0013199 900640031	
Year of manufacture		Product reference
Month of manufacture		Sequential number
<b>20 Characters :</b>	3675007 XX 2 07 070 00315	
Product reference		Sequential number
Millenium of manufacture		Manufacturing day
		Year of manufacture
<b>21 Characters :</b>	3675007 XX 07 070 0000315	
Product reference		Sequential number
Year of manufacture		Manufacturing day