



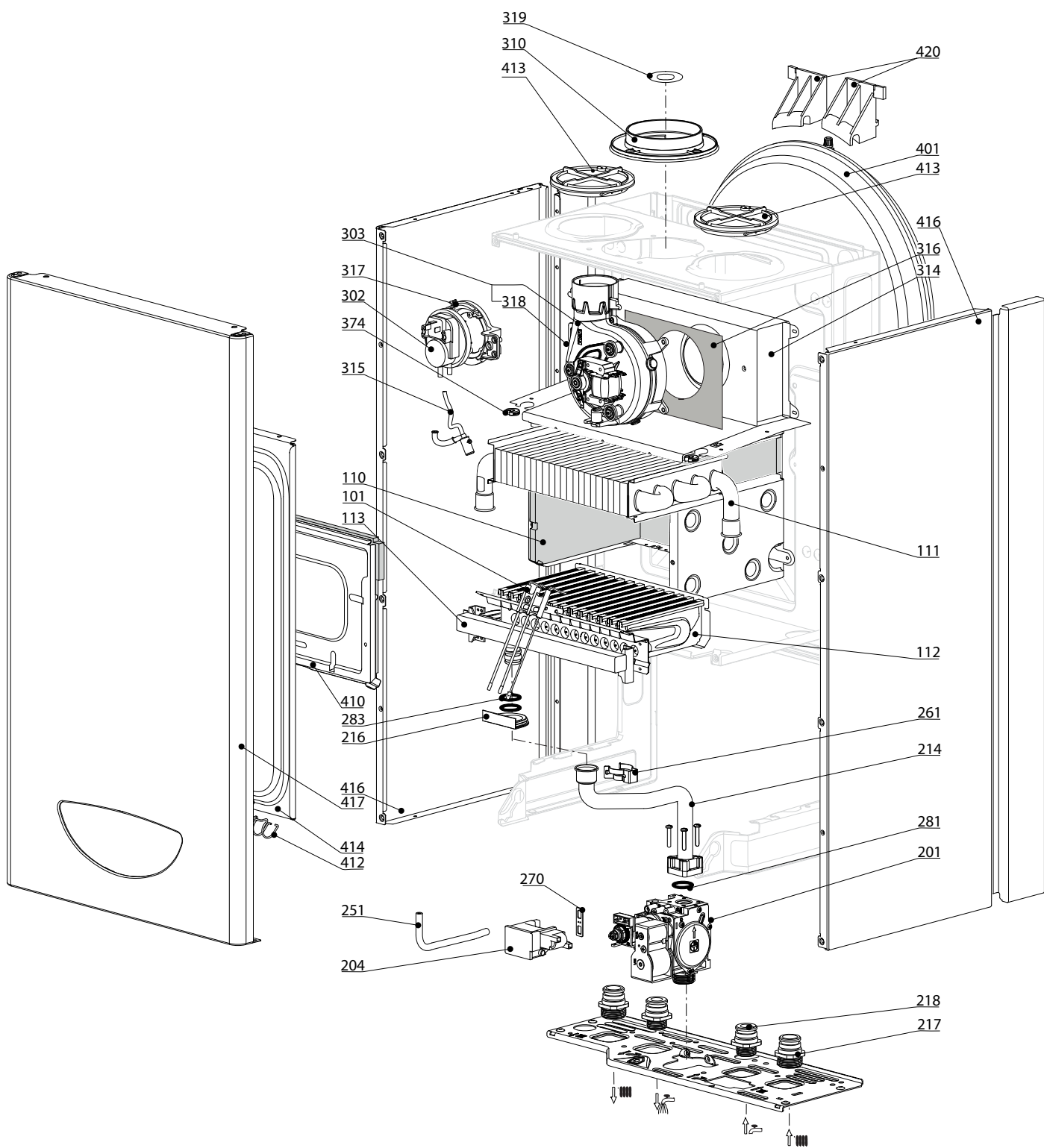
SPARE PARTS EXPLODED VIEW  
GAS-WALL BOILER ATM. BURNER  
Model  
**CARES XC - HS XC**

R8218623-02 - 25/02/2021

CARES XC - HS XC

Gas-wall boiler atm. burner

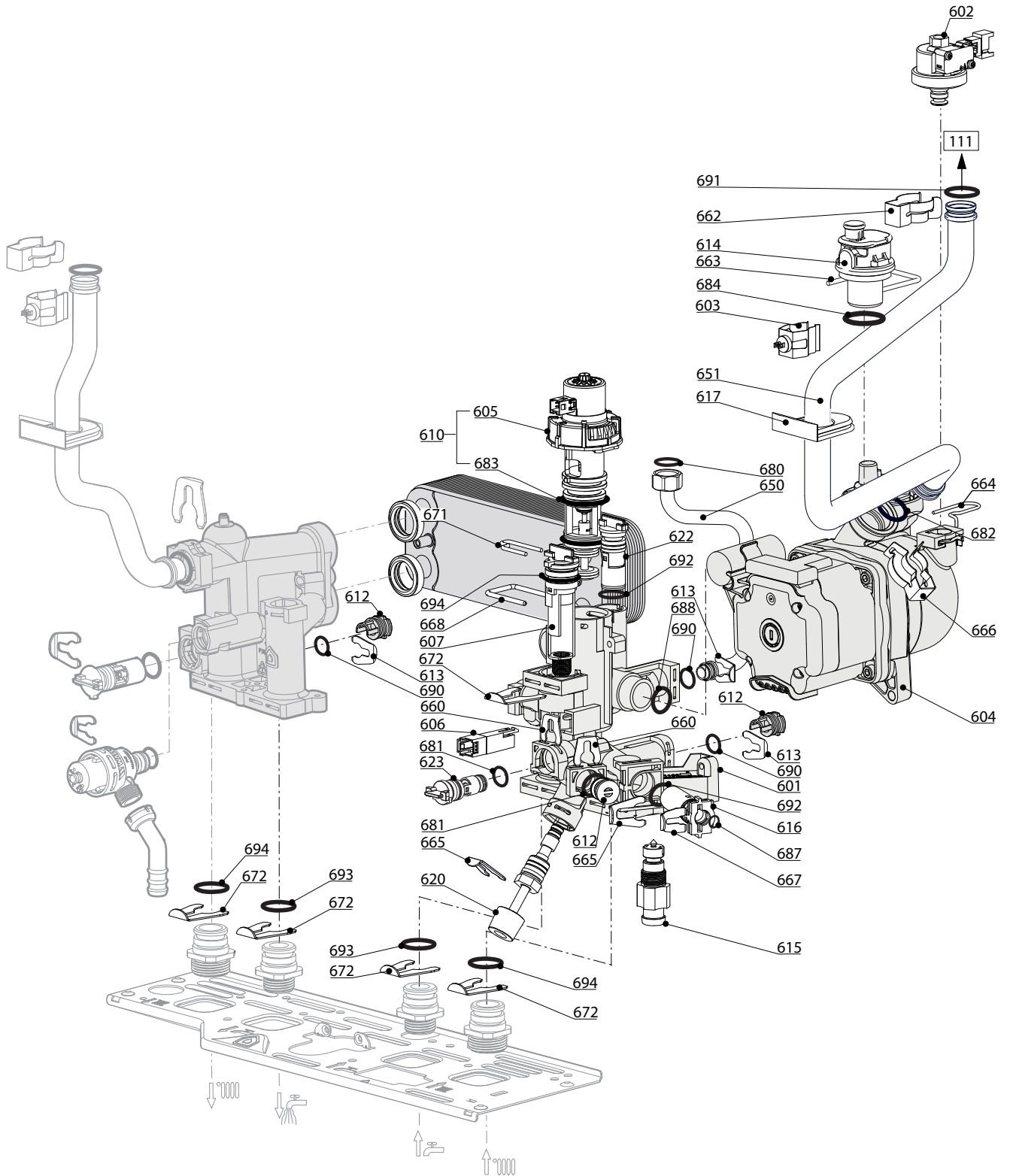
1	3301685	CARES XC 10 FF NG	02-2021	-
2	3301684	CARES XC 15 FF NG	02-2021	-
3	3301683	CARES XC 18 FF NG	02-2021	-
4	3301682	CARES XC 24 FF NG	02-2021	-
5	3301689	HS XC 10 FF NG	03-2021	-
6	3301688	HS XC 15 FF NG	03-2021	-
7	3301687	HS XC 18 FF NG	03-2021	-
8	3301686	HS XC 24 FF NG	03-2021	-
Col	Reference	Model type	Begin	End





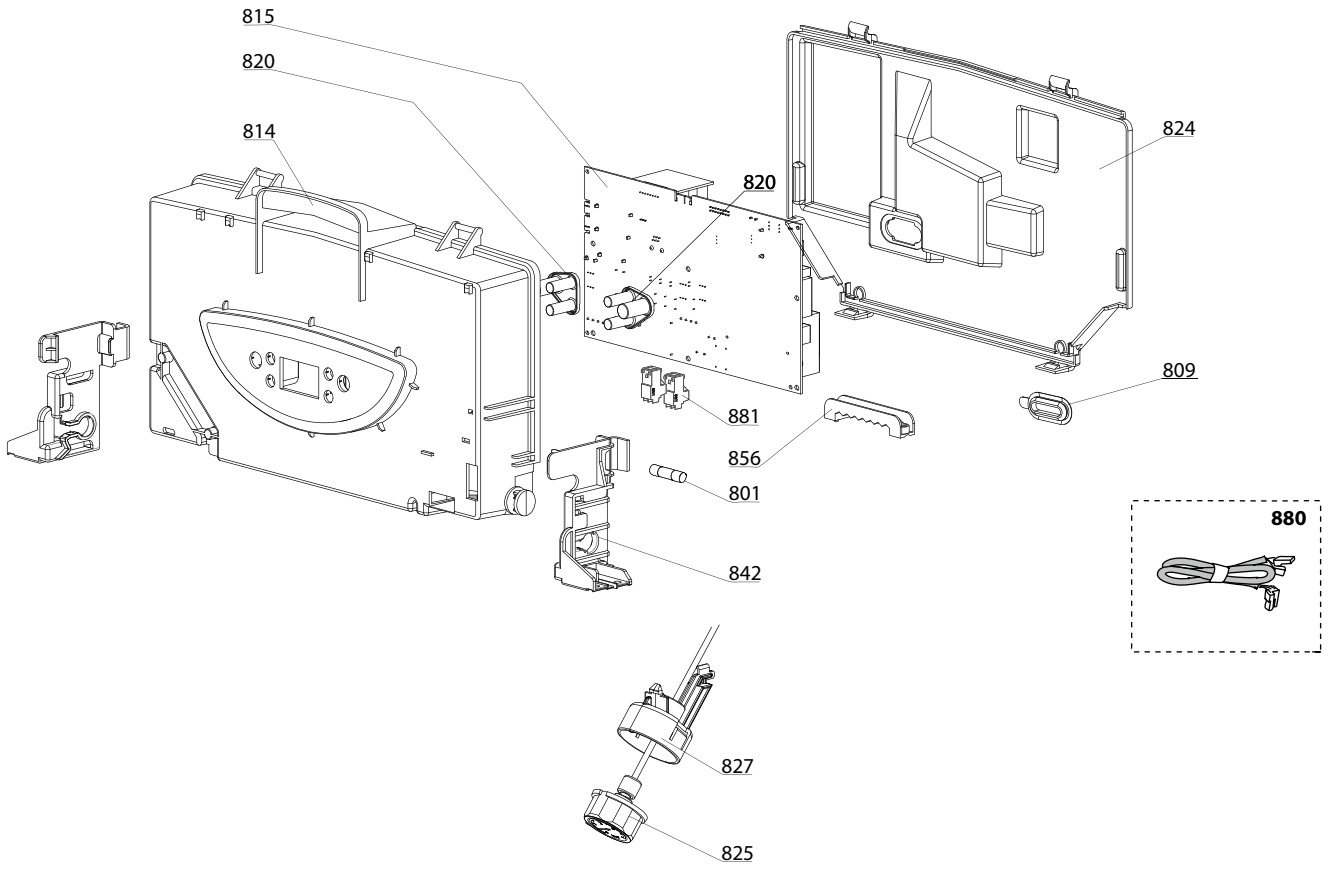




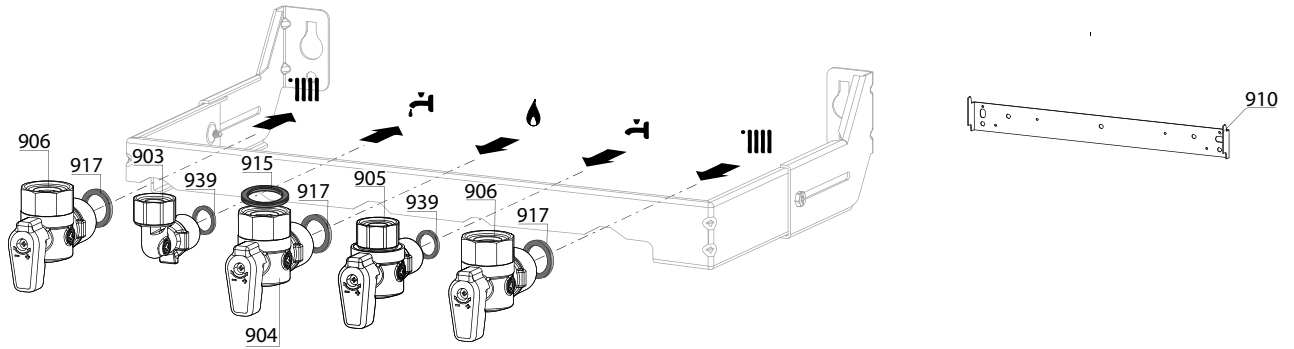




800



900



5000

**5001**  
 Transf. gaz  
 Conv. gas  
 Trsf. gas  
 Transf. gas  
**> G31**  
 (LPG - GPL)

**5002**  
 Transf. gaz  
 Conv. gas  
 Trsf. gas  
 Transf. gas  
**> G20**  
 (NAT - MET)



☉➔	Description	Manf. Pt. N	Type	<div style="float: right; text-align: left; font-size: small;"> CARES XC 10 FF NG  CARES XC 15 FF NG  CARES XC 18 FF NG  HS XC 24 FF NG  HS XC 10 FF NG  HS XC 15 FF NG  HS XC 18 FF NG  HS XC 24 FF NG </div>																		From	to
				1	2	3	4	5	6	7	8	9	10	11	12	13	14	15	16	17	18		
<b>0800</b>	<b>ELECTRICAL BOX</b>																						
0801	ПРЕДОХРАНИТЕЛЬ 5X20 RIT. 2 A 250V	65112137		●	●	●	●	●	●	●	●												
0809	ЗАГЛУШКА (PCD TOOL ACCESS)	998382		●	●	●	●	●	●	●	●												
0814	КОРПУС БЛОКА УПРАВЛЕНИЯ (FRONT)	65120328		●	●	●	●																
	КОРПУС БЛОКА УПРАВЛЕНИЯ (FRONT)	65120456						●	●	●	●												
0815	ОСНОВНАЯ ПЛАТА	65115782-04		●	●	●		●	●	●	●												
0820	КНОПКА УПРАВЛЕНИЯ	65120327		●	●	●	●	●	●	●	●												
0824	КОРПУС БЛОКА УПРАВЛЕНИЯ (REAR)	65115820		●	●	●	●	●	●	●	●												
0825	МАНОМЕТР (0-4 БАР)	65114200		●	●	●	●	●	●	●	●												
0827	КРОНШТЕЙН МАНОМЕТРА	65115809		●	●	●	●	●	●	●	●												
0842	БОКОВОЙ ФИКСАТОР ПАНЕЛИ УПРАВЛЕНИЯ	65115811		●	●	●	●	●	●	●	●												
0856	ЗАЖИМ ДЛЯ КАБЕЛЯ	65103377		●	●	●	●	●	●	●	●												
0880	КАБЕЛЬ 3-Х ХОДОВОГО КЛАПАНА	65115790		●	●	●	●	●	●	●	●												
	КАБЕЛЬ ЭЛЕКТРОДА ИОНИЗАЦИИ	60001883		●	●	●	●	●	●	●	●												
	КАБЕЛЬ НАСОСА 5М	65153612		●	●	●	●	●	●	●	●												
	КАБЕЛЬ ЗАЗЕМЛЕНИЯ	65104286		●	●	●	●	●	●	●	●												
	КАБЕЛЬ ПИТАНИЯ 240V	60001619		●	●	●	●	●	●	●	●												
	КАБЕЛЬ ДАТЧИК ТЕМП. - ПНЕВМОРЕЛЕ	65115789		●	●	●	●	●	●	●	●												
0881	КОННЕКТОР 2P	65111933		●	●	●	●	●	●	●	●												
	КОННЕКТОР 3P (x5)	65111934-01		●	●	●	●	●	●	●	●												
<b>0900</b>	<b>JIG PLATE &amp; PIPE FITTING</b>																						
0903	ПАТРУБОК ГВС	60000891		●	●	●	●	●	●	●	●												
0904	КРАН ГАЗА	65119353		●	●	●	●	●	●	●	●												
0905	КРАН ХОЛОДНОЙ ВОДЫ	60000894		●	●	●	●	●	●	●	●												
0906	КРАН ПОДАЧИ/ВОЗВРАТА ТЕПЛОНОСИТЕЛЯ	60000885		●	●	●	●	●	●	●	●												
0910	КРОНШТЕЙН	60000625		●	●	●	●	●	●	●	●												
0915	ПРОКЛАДКА КРАНА ГАЗА	65119354		●	●	●	●	●	●	●	●												
0917	ПЛОСКАЯ ПРОКЛАДКА D:24-17-1.5	60061855-19		●	●	●	●	●	●	●	●												
0939	ПЛОСКАЯ ПРОКЛАДКА D:18.4-12.2-1.5	60061855-14		●	●	●	●	●	●	●	●												
<b>5000</b>	<b>ACCESSORIES</b>																						
5001	К-Т ПЕРЕВОДА НА СЖИЖЕННЫЙ ГАЗ (LPG)	65104582-01		●	●	●	●	●	●	●	●												
5002	К-Т ПЕРЕВОДА НА ПРИРОДНЫЙ ГАЗ (NG)	65104583-01		●	●	●	●	●	●	●	●												

CARES XC - HS XC

Gas-wall boiler atm. burner

## LIST OF THE ABBREVIATIONS

HW .....	: Hot water.
CW .....	: Cold water.
C .....	: Ceramic resistance (normal heating).
Ca .....	: Ceramic resistance (accelerated heating)
TP .....	: Immersion heater.
1F .....	: With fittings.
2F .....	: Without fittings.
3F .....	: With fittings and another outlet connection.
AMI .....	: With mixing valve.
SMI .....	: Without mixing valve.
PUISS .....	: Power of th appliance.
PN .....	: Appliance with normal pression.
LP .....	: Appliance with low pression.
PV .....	: Appliance with variable power.
PF .....	: Appliance with fixed power.

## IDENTIFICATION PLATE

### SERIAL NUMBER

<b>10 Characters :</b>	04 05 125 011	Sequential number
		Manufacturing day
		Year of manufacture
<b>11 Characters :</b>	1 95 065004 - 31	Technical number of the appliance
Month of manufacture : from 1 to 9 → Jan. to Sep., O → Oct., N → Nov., D → Dec.		Sequential number
		Year of manufacture
<b>19 Characters :</b>	08 05 0013199 900640031	Product reference
Year of manufacture		Sequential number
Month of manufacture		
<b>20 Characters :</b>	3675007 XX 2 07 070 00315	Sequential number
Product reference		Manufacturing day
Millenium of manufacture		Year of manufacture
<b>21 Characters :</b>	3675007 XX 07 070 0000315	Sequential number
Product reference		Manufacturing day
Year of manufacture		